

ATRIA II 10

REIMAGINING PERFORMANCE SPACES

SPECIFICATION SHEET
STATIC WHITE OUTDOOR

Housing

Diameter : Ø9.4" | Height : 20.5" | Weight : 30 lbs

Material

Housing : High Pressure Die-Cast Aluminum
Optics : Metal Reflector

Power Input

80W, 110W, 140W, 180W, 220W | 120-277V

Lumen Output

10,300 lm (80W), 13,390 lm (110W), 17,430 lm (140W)
22,470 lm (180W), 26,350 lm (220W)

Dimming

Standard 0-10V : Dims to 10%
DALI : Dims to 10%

Color Quality

CRI 85, CRI 93

Rated Life

> 100,000 Hours (L70)

Finish



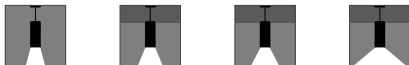
Matte Black Matte White

Color Temperature



2700K 3000K 3500K 4000K

Optics



30° 45° 55° Wide

Mounting



Stem Mount Adjustable Cable Yoke Mount

Warranty

5 Year limited warranty

Listing



DesignLights Consortium™ Qualified Luminaires:

DLC QPL Product ID: A-JHQJYR

Not all product variations listed are DLC qualified.

To ensure that a specific model is qualified, visit www.designlights.org/search

Versatile and Compact Architectural Cylinder

Engineered for performance spaces, this cylinder offers versatile mounting and advanced dimming options. It seamlessly blends into ceilings, delivering powerful performance with vibrant, color-changing technology that elevates any stage environment.

With its next-gen design, the Atria Mark II features an upgraded light engine that boasts a 30% increase in lighting output across the series and introduces a new SilentBlack™ finish that reduces reflectance to under 5%.



SPECIFICATION

PROJECT NAME

DATE

CATALOG #

QUANTITY

The product configurator function on this page works only with the latest version of Chrome or Adobe Acrobat Reader.

<input type="text" value="AS1110"/>	MODEL	ATRIA II 10		
<input type="text"/>	WATTAGE	80 80W 180 180W	110 110W 220 220W	140 140W
<input type="text"/>	CCT / CRI	278 2700K / CRI 85 309 3000K / CRI 93 408 4000K / CRI 85	279 2700K / CRI 93 358 3500K / CRI 85	308 3000K / CRI 85 359 3500K / CRI 93
<input type="text" value="UNV"/>	VOLTAGE	UNV 120 – 277V		
<input type="text"/>	DIMMING	STV Standard 0-10V dims to 10%	DALI DALI dims to 10%	
<input type="text"/>	BEAM ANGLE	30 30° WD¹ Wide	45 45°	55 55°
<input type="text"/>	FINISH	BLK SilentBlack™, Matte Finish	WHT SilentWhite™, Matte Finish	
<input type="text"/>	MOUNTING	ST2 Stem 2ft SAD10 Sloped Adjustable Cable 10ft	ST4 Stem 4ft YKM Yoke Mount	AD10 Adjustable Cable 10ft
<input type="text"/>	RATING	OUT² Outdoor Rating	NAT³ Natatorium Rating	
<input type="text"/>	ACCESSORIES	SPD⁴ Surge Protector	HC⁵ Honeycomb Louver	CT⁶ Conduit Mount

CLEAR FORM

¹ WD option reduces delivered lumens by ~20%
² Outdoor Rating: Coating and wiring will be changed to high UV resistant and corrosion resistant materials for long-term operation in outdoor environments
³ Natatorium Rating: Coating and sealant will be changed to high corrosion resistant materials to prevent damage from long-term exposure to chlorine vapors
⁴ Surge protector for up to 10KV. Applicable for unstable mains or facilities using high power machinery
⁵ HC option reduces delivered lumens by ~30%
⁶ CT is not compatible with YKM

TECHNICAL DETAILS

Electrical

- 10,300 lm (80W), 13,390 lm (110W), 17,430 lm (140W), 22,470 lm (180W), 26,350 lm (220W)
- Power Input : Universal (120-277V)
- Operating Temperature : -13°F~112°F
- Surge Protection : Built-in is 4KV

LED Features

- Color Temperature : 2700K, 3000K, 3500K, 4000K
- CRI 85, CRI 93
- Long lasting LED luminaire tested under TM21 lumen maintenance L70 @ 100,000 Hrs
- Lumen Maintenance > 0.90 at 60,000 hours

Optics

- Precision molded high transmittance clear PC lens
- Beam Angle : 30°, 45°, 55°, WD

Advanced Dimming

- Proprietary VX Driver™ is integrated across all dimming options, delivering video flicker-free performance and full compliance with IEEE 1789.
- Standard 0-10V : Dims to 10%
- DALI : Dims to 10%

Housing

- Diameter : Ø9.4"
- Height : 20.5"
- Material : High Pressure Die-Cast Aluminum, Metal Reflector
- Weight : 30 lbs

Mounting

- Stem 2ft or 4ft; 45° Swivel Canopy Included
- Adjustable Cable 10ft
- Sloped Adjustable Cable 10ft
- Yoke Mount

Warranty

- 5-year limited warranty

Listing

- DLC Listed
- ETL Wet Location Listed
- CE
- UKCA
- FCC
- IP 65

PERFORMANCE SUMMARY*

Delivered Lumens				
CCT/WATTAGE	2700K	3000K	3500K	4000K
80W	8,960lm	9,580lm	9,935lm	10,300lm
110W	11,645lm	12,450lm	12,915lm	13,390lm
140W	15,160lm	16,220lm	16,830lm	17,430lm
180W	20,100lm	21,285lm	21,880lm	22,470lm
220W	23,575lm	24,960lm	25,656lm	26,350lm

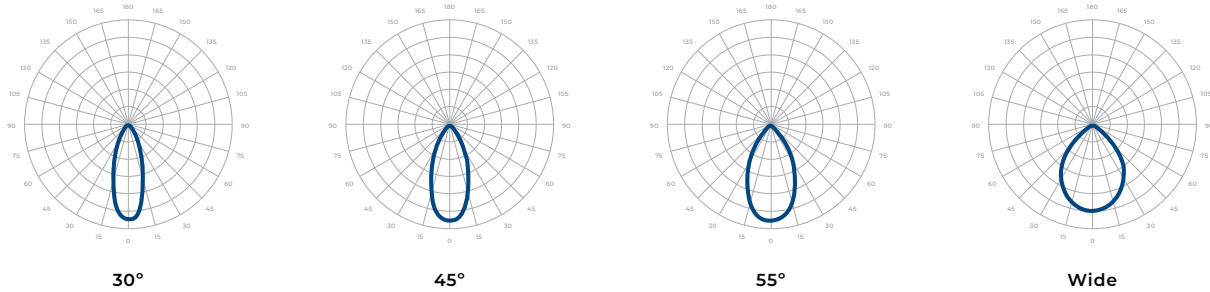
Current Consumption		
WATTAGE / VOLT	120V	277V
80W	0.73A	0.32A
110W	1.01A	0.44A
140W	1.28A	0.56A
180W	1.65A	0.71A
220W	2.02A	0.87A

*CRI 85 / Beam Angle: 30° *Tolerance ±8%

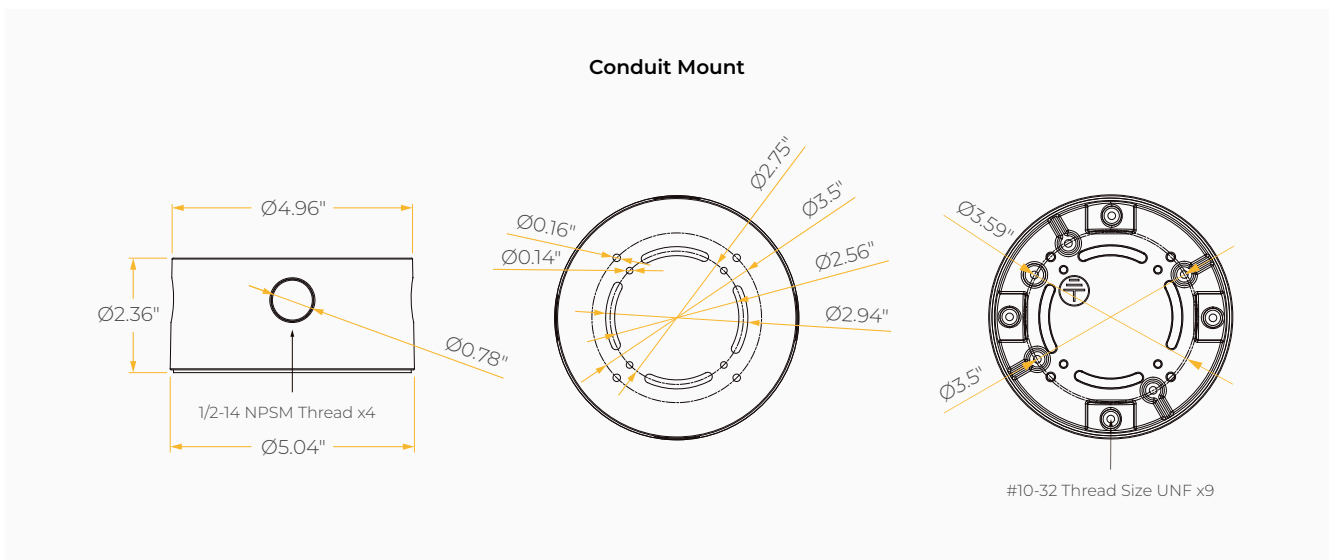
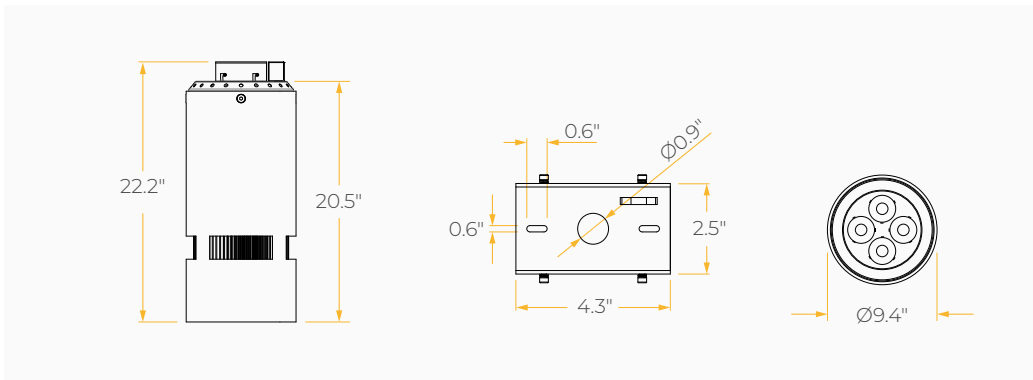
*For specifications requiring a CRI of 93, apply a 0.75 multiplier to the lumen output values listed.

PHOTOMETRICS

Below is a typical photometric representation of the Atria II 10 fixture. Please download IES files to ensure exact photometric value.



DIMENSIONS



MOUNTING OPTIONS*

*Junction box not included

